

THIS DRAWING IS UNPUBLISHED.

RELEASED FOR PUBLICATION

ALL RIGHTS RESERVED.

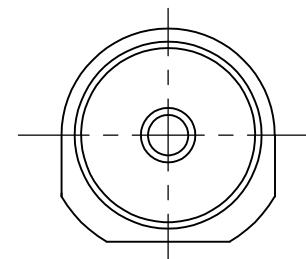
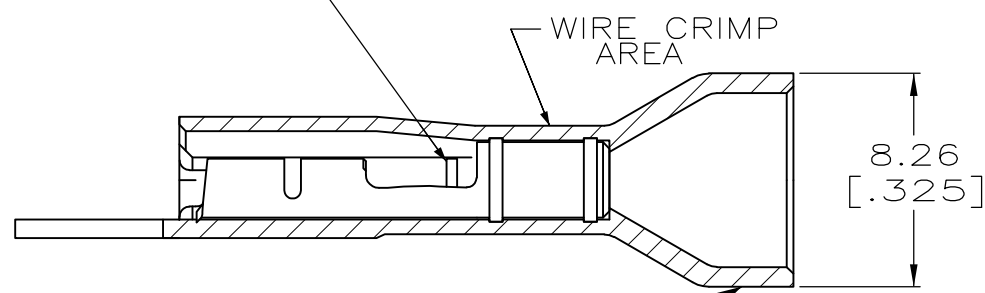
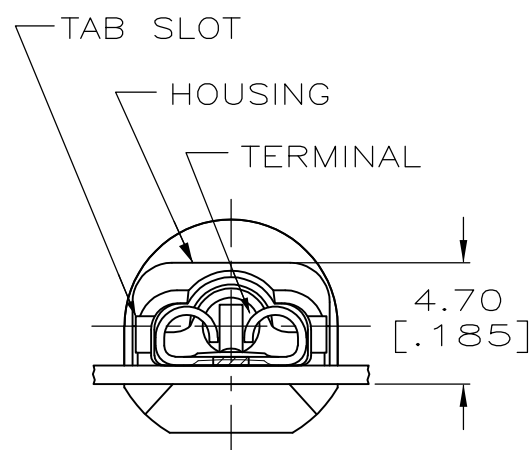
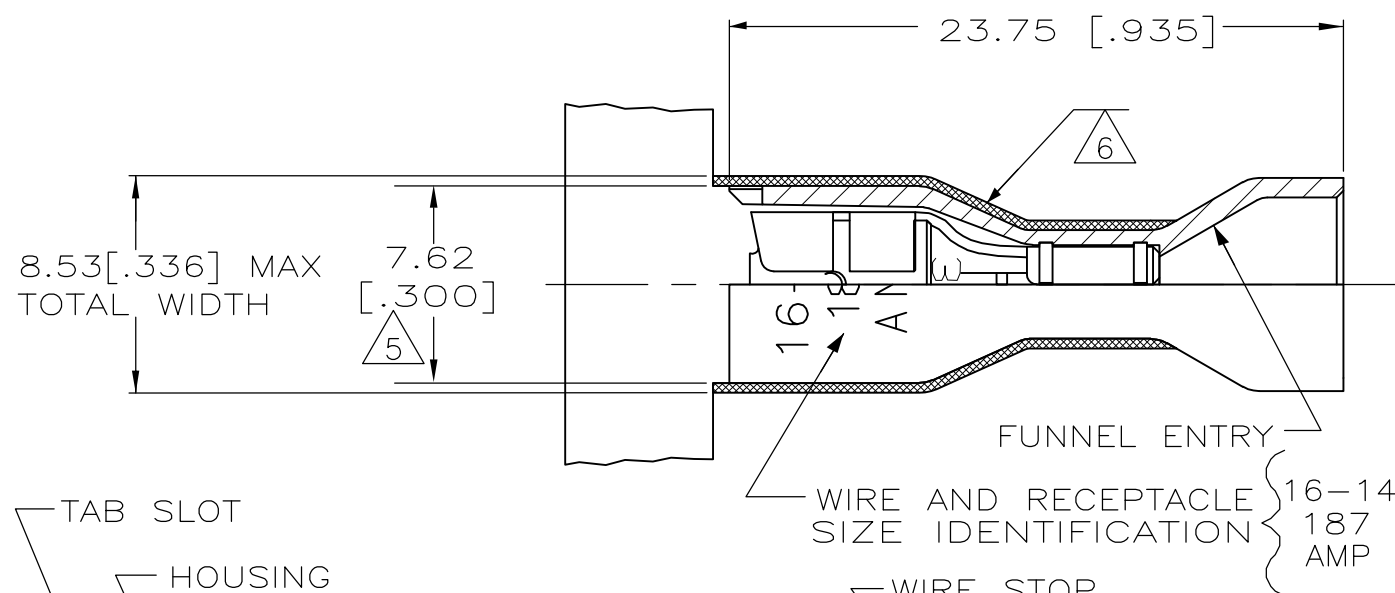
© COPYRIGHT - By -

LOC AF DIST 50

REVISIONS

P	LTR	DESCRIPTION	DATE	DWN	APVD
	K	REVISED PER ECR-13-004343	30JUL13	KH	KR

- 1 MATES WITH .032±.001x.187 TAB
- 2 WIRE STRIP LENGTH .281
- 3 INSULATION SIZE .260 MAX DIA
- 4 CONTINUOUS STRIP ON REELS
- △5 DIMENSION DOES NOT INCLUDE TRIM BURR
- △6 .015 MAX CARRIER TRIM BURR PER SIDE IS ALLOWABLE IN THE SHADED AREA



HOUSING: NYLON, COLOR-BLACK TRANSLUCENT RECEPTACLE: BRASS TIN	9-520276-2
HOUSING: NYLON, COLOR-BLUE TRANSLUCENT RECEPTACLE: BRASS TIN	3-520276-2
MATERIAL & FINISH	PART NO

THIS DRAWING IS A CONTROLLED DOCUMENT.		DWN JR RUTH 10/12/92	<b>STE</b> TE Connectivity		
DIMENSIONS: mm [INCHES]		CHK MS FEHER 10/12/92			
TOLERANCES UNLESS OTHERWISE SPECIFIED:		APVD V KARACIEVSCHY 10/12/92	NAME RECEPTACLE, ASSY, ULTRA-FAST, .187 SERIES, 16-14 AWG		
0 PLC ± -		PRODUCT SPEC 108-2043	SIZE CAGE CODE DRAWING NO RESTRICTED TO		
1 PLC ± -		APPLICATION SPEC 114-2123	A3 00779 C-520276		
2 PLC ± 0.38 [.015]		WEIGHT -	SCALE 4:1 SHEET 1 OF 1 REV K		
3 PLC ± -		CUSTOMER DRAWING			
4 PLC ± -					
ANGLES ± -					
FINISH SEE TABLE					